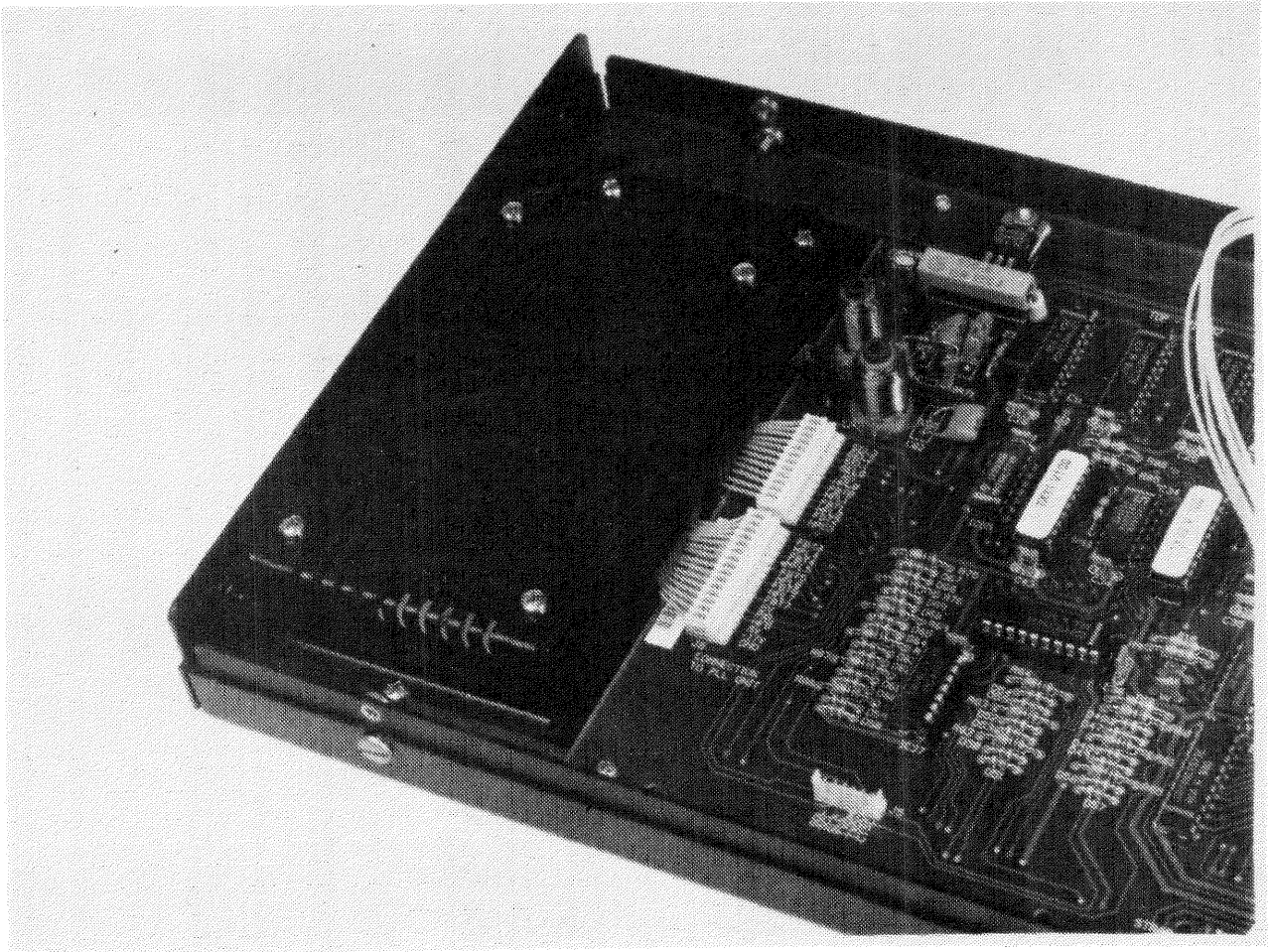


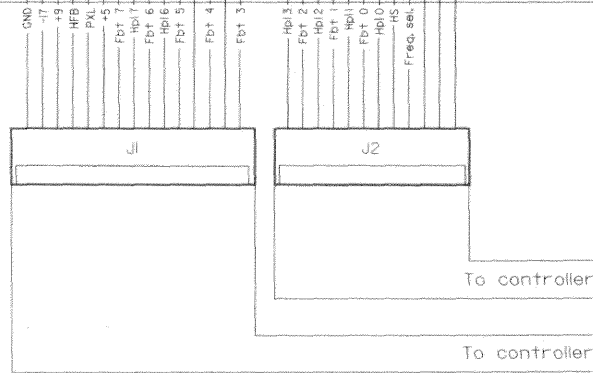
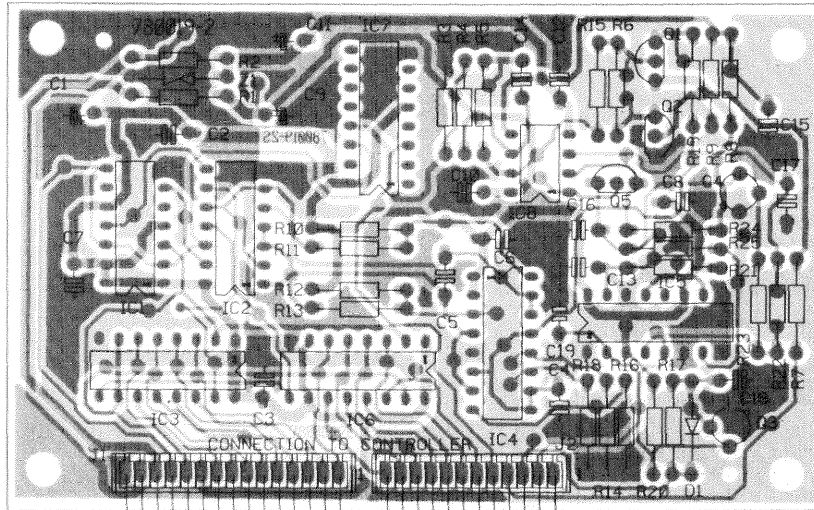


BARCO Projection Systems

SECTION K

service sheet





Component location		Component location	
C1	F 1	Q1	F 3
C2	E 2	Q2	F 3
C3	E 2	Q3	E 4
C4	E 3	Q4	E 3
C5	E 3	Q5	E 3
C6	E 3		
C7	E 1	R1	F 2
C8	E 3	R2	F 2
C9	F 2	R3	F 3
C10	E 3	R4	F 3
C11	F 2	R5	F 3
C12	F 3	R6	F 3
C13	E 3	R7	E 4
C14	F 3	R8	E 4
C15	E 4	R9	E 3
C16	E 3	R10	E 2
C17	E 4	R11	E 2
C18	E 4	R12	E 2
C19	E 3	R13	E 2
		R14	D 3
D1	D 3	R15	F 3
		R16	E 3
IC1	E 2	R17	E 3
IC2	E 2	R18	E 3
IC3	E 2	R19	E 3
IC4	E 3	R20	D 3
IC5	E 3	R21	E 3
IC6	E 2	R22	E 4
IC7	F 2	R23	E 4
IC8	E 3	R24	E 3
		R25	E 3
J1	D 2	Z1	F 2
J2	D 3		

Name		Article no.
PLL module		76 1756
Date	Drawn	Checked
15/09/1990	PG	GT
BARCO PROJECTION SYSTEMS		

780019

COMP.	LOC.
C1	B 6
C2	A 4
C3	A 5
C4	G 6
C5	F 5
C6	F 5
C7	A 6
C8	A 5
C9	C 6
C10	D 6
C11	E 6
C12	E 6
C13	B 2
C14	G 1
C15	G 2
C16	E 2
C17	C 2
C18	A 1
C19	B 1

DI A 1

IC1	A 4
IC1	C 4
IC1	A 4
IC2	C 4
IC2	C 5
IC2	D 5
IC2	A 4
IC2	A 4
IC3	F 3
IC3	A 4
IC3	A 4
IC4	F 5
IC4	G 5
IC4	E 5
IC4	F 5
IC4	A 5
IC5	C 1
IC5	A 5
IC6	F 2
IC6	A 5
IC6	A 5
IC7	F 1
IC7	A 6
IC8	D 1
IC8	C 1
IC8	A 6
IC8	A 6

J1	H 4
J2	H 5

Q1 C 6

Q2 G 2

Q3 A 1

Q4 D 2

Q5 D 1

R1 C 6

R2 D 6

R3 G 1

R4 G 1

R5 G 1

R6 H 1

R7 H 2

R8 G 1

R9 G 2

R10 E 4

R11 E 5

R12 E 4

R13 E 5

R14 F 5

R15 H 1

R16 F 5

R17 A 1

R18 C 5

R19 G 5

R20 A 1

R21 B 1

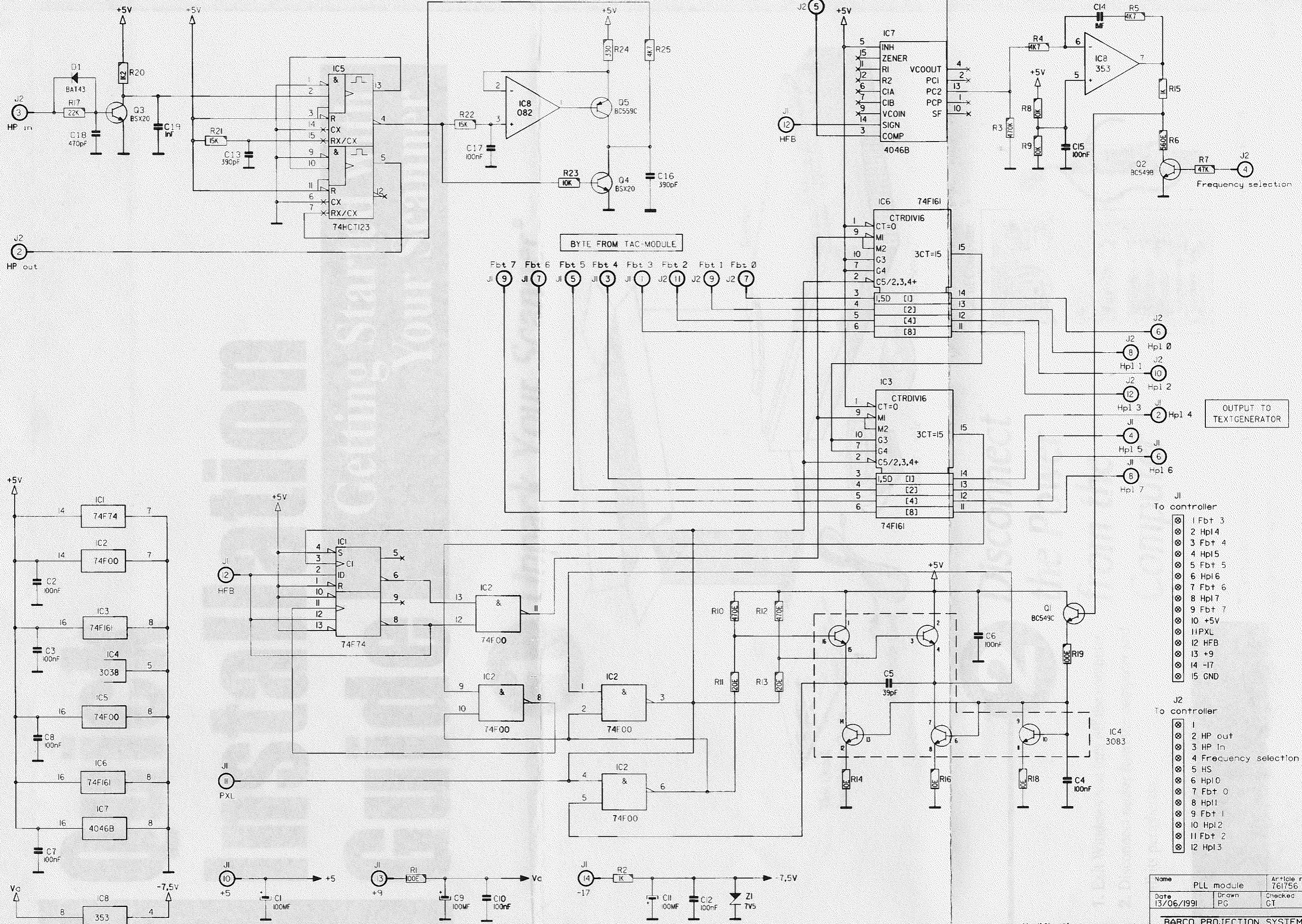
R22 C 1

R23 D 2

R24 D 1

R25 E 1

Z1 E 6



- To controller
- ⊗ 1 Fbt 3
 - ⊗ 2 Hpl 4
 - ⊗ 3 Fbt 4
 - ⊗ 4 Hpl 5
 - ⊗ 5 Fbt 5
 - ⊗ 6 Hpl 6
 - ⊗ 7 Fbt 6
 - ⊗ 8 Hpl 7
 - ⊗ 9 Fbt 7
 - ⊗ 10 +5V
 - ⊗ 11 PXL
 - ⊗ 12 HFB
 - ⊗ 13 +9
 - ⊗ 14 -17
 - ⊗ 15 GND

- J2 To controller
- ⊗ 1 HP out
 - ⊗ 2 HP In
 - ⊗ 3 HP In
 - ⊗ 4 Frequency selection
 - ⊗ 5 HS
 - ⊗ 6 Hpl 0
 - ⊗ 7 Fbt 0
 - ⊗ 8 Hpl 1
 - ⊗ 9 Fbt 1
 - ⊗ 10 Hpl 2
 - ⊗ 11 Fbt 2
 - ⊗ 12 Hpl 3

Name	PLL module	Article nr.	761756 00
Date	13/06/1991	Drawn	PG
		Checked	GT

BARCO PROJECTION SYSTEMS

Modifications reserved

ITEM.	SIT.	DESCRIPTION	ITEM.	SIT.	DESCRIPTION
11 1477	C..1	C ELPR 100M Z5 25	13 1411	Q..2	Q BC549C N 30 / 0A1
11 2774	C..2	C CE MI 100K U5 63	13 1491	Q..3	Q BSX20,2369 N 15 / 0A2
11 2774	C..3	C CE MI 100K U5 63	13 1491	Q..4	Q BSX20,2369 N 15 / 0A2
11 2774	C..4	C CE MI 100K U5 63	13 14182	Q..5	Q BC559C P 30 / 0A1
11 2237	C..5	C NPO MI 39P G5 63	10 1124	R..1	R CF H100E J 0W25
11 2774	C..6	C CE MI 100K U5 63	10 1136	R..2	R CF H 1K J 0W25
11 2774	C..7	C CE MI 100K U5 63	10 1168	R..3	R CF H470K J 0W25
11 2774	C..8	C CE MI 100K U5 63	10 1144	R..4	R CF H 4K7 J 0W25
11 1477	C..9	C ELPR 100M Z5 25	10 1144	R..5	R CF H 4K7 J 0W25
11 2774	C.10	C CE MI 100K U5 63	10 1133	R..6	R CF H560E J 0W25
11 1477	C.11	C ELPR 100M Z5 25	10 1156	R..7	R CF H 47K J 0W25
11 2774	C.12	C CE MI 100K U5 63	10 1148	R..8	R CF H 10K J 0W25
11 59061	C.13	C PP RA 390P J5 100	10 1148	R..9	R CF H 10K J 0W25
11 4090	C.14	C POMEPO 1M M5 63	10 1132	R.10	R CF H470E J 0W25
11 2774	C.15	C CE MI 100K U5 63	10 1125	R.11	R CF H120E J 0W25
11 59061	C.16	C PP RA 390P J5 100	10 1132	R.12	R CF H470E J 0W25
11 2774	C.17	C CE MI 100K U5 63	10 1125	R.13	R CF H120E J 0W25
11 2387	C.18	C N152MI 470P J5 63	10 1112	R.14	R CF H 10E J 0W25
11 2739	C.19	C CE MI 1K K5 63	10 1136	R.15	R CF H 1K J 0W25
13 1636	D..1	D BAT43,(85) SCHOTTKY	10 1112	R.16	R CF H 10E J 0W25
13 7578	I..1	U 74F74 2X D FLIP FLOP	10 1152	R.17	R CF H 22K J 0W25
13 7576	I..2	U 74F00 4X 2I NAND GATE	10 1112	R.18	R CF H 10E J 0W25
13 7577	I..3	U 74F161 4B BIN COUNT	10 1124	R.19	R CF H100E J 0W25
13 4103	I..4	U 3083 5X NPN Q ARRAY	10 1137	R.20	R CF H 1K2 J 0W25
13 7552	I..5	U 74HCT123 2XRETR M MULTIV	10 1150	R.21	R CF H 15K J 0W25
13 7577	I..6	U 74F161 4B BIN COUNT	10 1150	R.22	R CF H 15K J 0W25
13 7602	I..7	U 4046B PLL	10 1148	R.23	R CF H 10K J 0W25
13 4116	I..8	U 353 JFET DUAL OPAMP	10 1130	R.24	R CF H330E J 0W25
78 0019	PC..	PCB PJ 49 CTRL *800PLL1 761756	10 1144	R.25	R CF H 4K7 J 0W25
13 1411	Q..1	Q BC549C N 30 / 0A1	13 1756	Z..1	D ZENER 7V5 0W5 C

PLL MODULE

76 1756

ART.NO.	DESCRIPTION	QUANTITY	ART.NO.	DESCRIPTION	QUANTITY
11 4090	C POMEPO 1M M5 63	1	13 7576	U 74F00 4X 2I NAND GAT	1
13 1411	Q BC549C N 30 / 0A1	2	13 7577	U 74F161 4B BIN COUN	2
13 14182	Q BC559C P 30 / 0A1	1	13 7578	U 74F74 2X D FLIP FLO	1
13 1491	Q BSX20,2369 N 15 / 0A2	2	13 7602	U 4046B PL	1
13 1636	D BAT43,(85) SCHOTTKY	1	36 20216	SCREW DIN84 M 3 X 6 MP-	4
13 1756	D ZENER 7V5 0W5 C	1	80 0943	SPACER RIV L24,25D 7 M3 A	4
13 4103	U 3083 5X NPN Q ARRA	1	80 2617	FRAME PJ 49 CTRL SCREEN	1
13 4116	U 353 JFET DUAL OPAM	1			
13 7552	U 74HCT123 2XRETR M MULTI	1			