

BARCODATA 708

Compact, High Performance Data Projector

The BARCODATA 708 is a high performance, super data projector designed to project ultra sharp, crystal clear images from a wide range of PC graphics boards on screens up to 20 ft/6 m wide. It offers an outstanding array of technical features and a compact, lightweight design, which makes it ideally suited for a wide range of presentation and training applications for medium-sized audiences, such as boardroom meetings, training sessions, trade shows, teleconferencing centers and multimedia events,...

Broad Compatibility

- Horizontal autolock scan frequency of 15-69 kHz
- Vertical autolock scan frequency of 37-210 Hz
- Standard Video (NTSC, PAL, SECAM), S-Video (S-VHS, Hi-8) and professional Component Video (Y, R-Y, B-Y)
- RGB signals from a wide range of PC graphics boards with resolutions up to 1280 by 1024 pixels/60 Hz
- Wideband 75 MHz RGB amplifiers
- A full complement of input signal connections

Superb Image Quality

The BARCODATA 708 displays crystal clear, true-color images on screens up to 20 ft/6 m wide.

- New proprietary 7" CRTs
- High brightness F1.03 lenses
- Built-in line doubler or line multiplier (optional)
- Built-in IRIS³ automatic alignment system aligns on-screen convergence and geometry in less than 2.5 minutes



New!

Now with Built-in
IRIS³ Auto-Convergence
and Auto-Geometry

BARCO

Technical Specifications

Light Output

At 10 % peak white: 1,100 lumens
 ANSI lumens:
 Economy mode: 130 ANSI lumens
 Normal mode: 170 ANSI lumens
 Boost mode: 200 ANSI lumens

CRTs

High brightness liquid cooled 7" CRTs
 (5.4" useable phosphor area)

Lenses

High-definition F1.03 lenses with a combination of glass and plastic aspherical elements, with center+ edge focus adjustment

Screen Size

Min 4.6' x 3.5' / 1.4 m x 1.05 m
 Max 20' x 15' / 6 m x 4.50 m

Scan Frequencies

Horizontal 15-69 kHz autolock
 Vertical 37-210 Hz autolock

Minimal Retrace Time

Horizontal < 3.3 μs
 Vertical < 450 μs

RGB Bandwidth

75 MHz [-3 dB]

Horizontal Linearity

< ±1.5 % distortion throughout the full horizontal frequency range

Optical Resolution

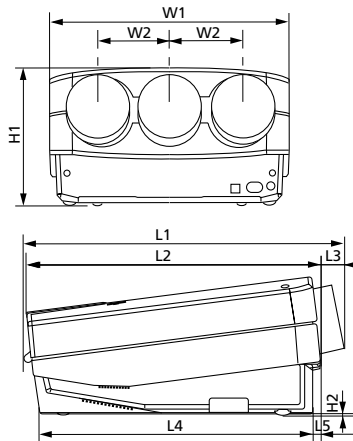
10 lp/mm

Inputs

- Video (NTSC 3.58, NTSC 4.43, PAL, SECAM) input on BNC-connector
- 4-pin 5-Video (Y/C) input
- R(R-Y)/G(Y)/B(B-Y)/S input on BNC-connectors, sync on green or separate sync, standard sync or Tri-level sync
- RS-232 input (Loop-Through) for projector control through PC

Special Features

- CRT drive in 3 modes: normal mode, economy mode for longer life time of the CRTs, and boost mode for special applications
- External auto-diagnosis LEDs for ease of maintenance
- Superb color reproduction through Color Transient Improvement, Automatic Black Level and Gamma-tracking



- On-screen menus selectable between English, French, German and Spanish
- 32 frequency-related memory banks
- Effective on-screen display
- LDI (Linear Digital Interpolation)
- Ability to set parameters to midposition
- Color temperature adjustment (3200 K, 4900 K, 6500 K, 9300 K or custom)
- Hand grips on the side of the projector facilitates carrying
- Discrete adjustable Scheimpflug correction in 3 discrete steps, for optimal top-bottom and left-right focussing in different installations
- Built-in IRIS² Auto-Convergence and Auto-Geometry alignment system
- Standard Windows Control Software included

Remote Control

Backlit user-friendly infrared remote control for control of:

- Source switching
- User settings per source
- Geometry per source (password protectable)
- Convergence per source (password protectable)

Power Consumption

Max. 450 Watts
 Dissipation : Max. 1,537 BTU/hr

Safety Regulations

The BARCODATA 708 complies with UL 1950 and EN 60950

Dimensions	inch	mm
L1	28.62	727
L2	26.34	669
L3	2.05	52
L4	24.45	621
L5	0.75	19
H1	11.89	302
H2	0.19	5
W1	21.65	550
W2	6.46	164

Shipping Dimensions	inch	mm
L	35.03	890
H	16.53	420
W	27.17	690

Electromagnetic Interference

The BARCODATA 708 complies with FCC Rules & Regulations, part 15 Class A and CE EN55022 Class A

Weight

Net weight 84 lbs./ 38 kg
 Shipping weight 121 lbs./ 55 kg

Order Information

BARCODATA 708	
230 V	R9002310
120 V	R9002319
RCVDS 05 source selector:	
230 V	R9827880
120 V	R9827889
Line doubler kit	R9828161
Line multiplier kit	R9828630
Projector Control Software	
Advanced Version	R9828690
Executive remote control	R9827970
Communication cables	
16 ft. / 5 m	R9827770
50 ft. / 15 m	R9827560
100 ft. / 30 m	R9827570
Remote infrared receiver	R9827515
Ceiling mount 700	
- With pulley system	R9827990
- Without pulley system	R9827991
Flightcase	R9827830



BARCO Projection Systems is an ISO 9001 registered company.

The information and data given are typical for the equipment described. However any individual item is subject to change without any notice.



BARCO Projection Systems - Head Office
 Noordlaan 5 8520 Kuurne, Belgium
 Tel: +32 / 56 / 368 211 Fax: +32 / 56 / 351 651
 E-mail: sales.bps@barco.com
 Visit Barco at the web: <http://www.barco.com>

