

BARCO REALITY 909 (908)

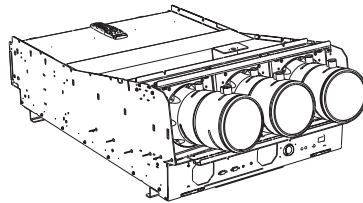
R9040010 R9040030
R9040014 R9040040
R9040015 R9040070
R9040019 R9040080

BOARDLOCATION

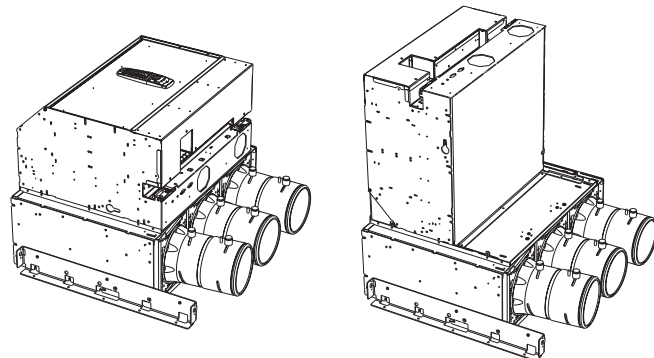
Note: All drawings and pictures show a 909 projector with standard HFQ900 lens.

Explanation about Article Numbers:

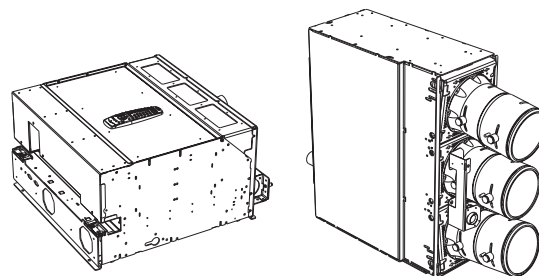
R9040010 909 240V AC
R9040014 909 Mains Power Auto Ranging
R9040015 919
R9040019 900 120V AC



R9040030 909 OEM Version F-Shape / L-Shape
R9040070 908 OEM Version F-Shape / L-Shape



R9040040 909 Split Pack Version
R9040080 908 Split Pack Version



Module Statement Barco Reality 909 (908):

Modules	R9040010	R9040014	R9040015	R9040019
R7621055 UN*1200 INP RGB S_TRACK	xx	xx	xx	xx
R7627195 UN CINEMAX RGB INP	xx	xx	xx	xx
R762949 UN D708 HS EHT CNN				
R762718 UN G808S EHT SPL	xx	xx	xx	xx
R763782 UN R9**SP CORD SET				
R763715 UN R9**SP FRMC EL				
R7635726 UN R909 CRT M09M HD10 B	xx	xx	xx	xx
R7635725 UN R909 CRT M09M HD10 G	xx	xx	xx	xx
R7635722 UN R909 CRT M09M HD10 R	xx	xx	xx	xx
R7637546 UN R908 HS CRT M08L B				
R7637545 UN R908 HS CRT M08L G				
R7637542 UN R908 HS CRT M08L R				
R763710 UN R908 OEM FS LC FRMC				
R763720 UN R909 OEM FRMC OP				
R763716 UN R908SP LC FRMC OP				
R763719 UN R909SP LC FRMC OP				
R763138 UN R909 AST DYN	xx	xx	xx	xx
R763467 UN R909 CNN FRM-CNV				
R7631375 UN R909 CNV OUT+HTSN LONG	xx	xx	xx	xx
R763125 UN R909 CTRL	xx	xx	xx	xx
R7627165 UN R909 EHT	xx	xx	xx	xx
R763368 UN R909 EHT QDR	xx	xx	xx	xx
R763452 UN R909 FAN CNN	xx	xx	xx	xx
R763159 UN R909 FRM-UN	xx	xx	xx	xx
R763146 UN R909 FRM CNN	xx	xx	xx	xx
R763306 UN R909 FRMC EXT	xx			xx
R7633064 UN R909 FRMC		xx	xx	
R763140 UN R909 HOR DEF	xx	xx	xx	xx
R763144 UN R909 MNS INP	xx			xx
R7631455 UN R909 PFC /2		xx	xx	
R7631452S UN R909 PFC SUB /2		xx	xx	
R7627205 UN R909 RGB DVR	xx	xx	xx	xx
R763027 UN R909 RGB O+S	xx	xx	xx	xx
R763027S UN R909 RGB O+S DVR	xx	xx	xx	xx
R7631295 UN R909 RS232+RX RC5	xx	xx	xx	xx
R763142 UN R909 SMP1	xx	xx	xx	xx
R763142S UN R909 SMP1 SUB	xx	xx	xx	xx
R763143 UN R909 SMP2+G2x	xx	xx	xx	xx
R7631415 UN R909 VER+SYN /2	xx	xx	xx	xx
R7631395 UN R909/R912 FOC	xx	xx	xx	xx
R763694 UN R909 OEM EXT DEF-FOC				
R763637 UN R909SP CNN EL				
R763623 UN R912 FAN CTRL				
R763034 UN RCU-BL RC5	xx	xx	xx	xx
R7630355 UN RCU-BL RC5 CPL	xx	xx	xx	xx
R763114 UN RCU-BL RC5 WIRE	xx	xx	xx	xx
R7631285 UN RCU-BL RC5 WIRE CPL	xx	xx	xx	xx
R763112 UN V708 RCU RX IR RC5	xx	xx	xx	xx

BARCO REALITY 909 (908)

R9040010 R9040030
 R9040014 R9040040
 R9040015 R9040070
 R9040019 R9040080

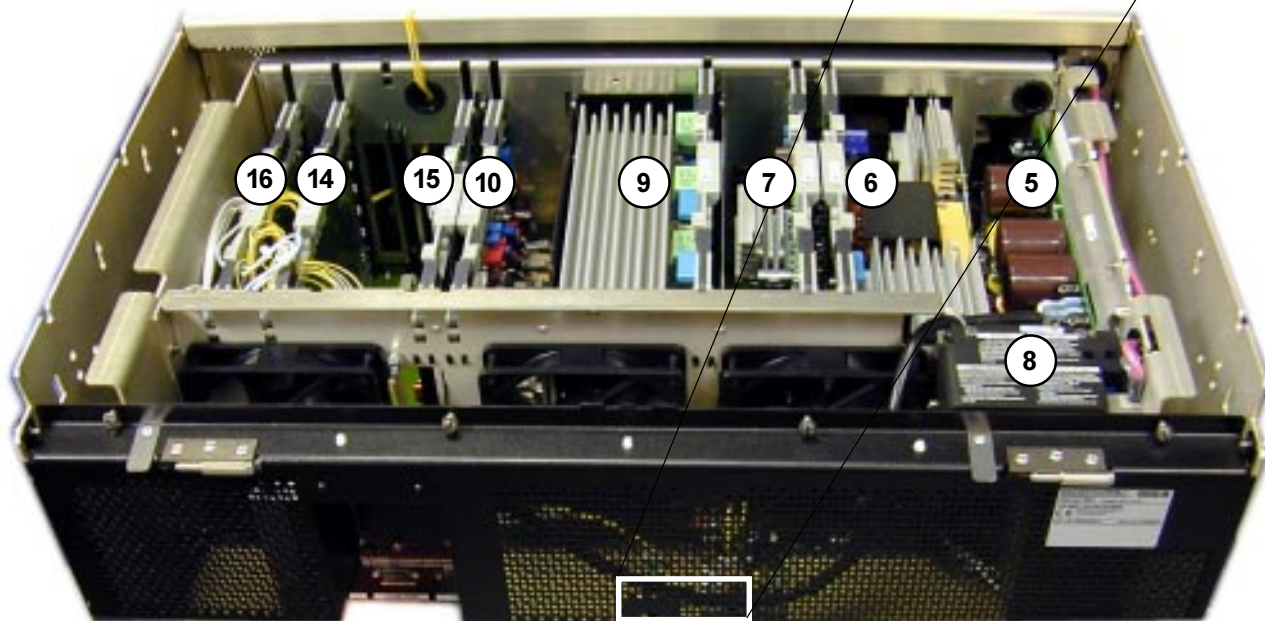
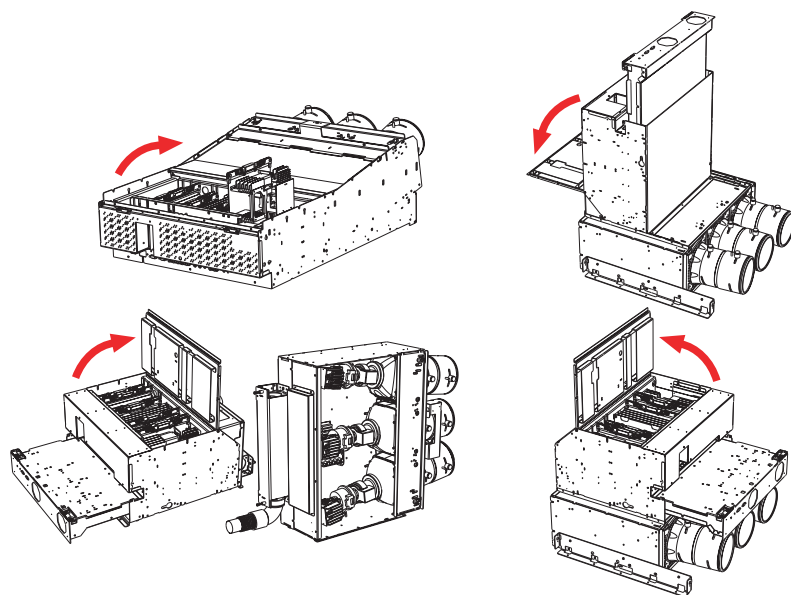
Modules	R9040030	R9040040	R9040070	R9040080
R7621055 UN *1200 INP RGB S_TRACK	XX	XX	XX	XX
R7627195 UN CINEMAX RGB INP	XX	XX	XX	XX
R762949 UN D708 HS EHT CNN		XX		XX
R762718 UN G808S EHT SPL	XX	XX	XX	XX
R763782 UN R9**SP CORD SET		XX		XX
R763715 UN R9**SP FRMC EL		XX		XX
R7635726 UN R909 CRT M09M HD10 B	XX	XX		
R7635725 UN R909 CRT M09M HD10 G	XX	XX		
R7635722 UN R909 CRT M09M HD10 R	XX	XX		
R7637546 UN R908 HS CRT M08L B			XX	XX
R7637545 UN R908 HS CRT M08L B			XX	XX
R7637542 UN R908 HS CRT M08L B			XX	XX
R763710 UN R908 OEM FS LC FRMC			XX	
R763720 UN R909 OEM FRMC OP	XX			
R763716 UN R908SP LC FRMC OP				XX
R763719 UN R909SP LC FRMC OP		XX		
R763138 UN R909 AST DYN	XX	XX	XX	XX
R763467 UN R909 CNN FRM-CNV	XX	XX	XX	XX
R7631375 UN R909 CNV OUT+HTSN LONG	XX	XX	XX	XX
R763125 UN R909 CTRL	XX	XX	XX	XX
R7627165 UN R909 EHT	XX	XX	XX	XX
R763368 UN R909 EHT QDR	XX	XX	XX	XX
R763452 UN R909 FAN CNN				
R763159 UN R909 FRM -UN	XX	XX	XX	XX
R763146 UN R909 FRM CNN	XX	XX	XX	XX
R763306 UN R909 FRMC EXT				
R7633064 UN R909 FRMC				
R763140 UN R909 HOR DEF	XX	XX	XX	XX
R763144 UN R909 MNS INP				
R7631455 UN R909 PFC /2	XX	XX	XX	XX
R7631452S UN R909 PFC SUB /2	XX	XX	XX	XX
R7627205 UN R909 RGB DVR	XX	XX	XX	XX
R763027 UN R909 RGB O+S	XX	XX	XX	XX
R763027S UN R909 RGB O+S DVR	XX	XX	XX	XX
R7631295 UN R909 RS232+RX RC5	XX	XX	XX	XX
R763142 UN R909 SMP1	XX	XX	XX	XX
R763142S UN R909 SMP1 SUB	XX	XX	XX	XX
R763143 UN R909 SMP2+G2x	XX	XX	XX	XX
R7631415 UN R909 VER+SYN /2	XX	XX	XX	XX
R7631395 UN R909/R912 FOC	XX	XX	XX	XX
R763694 UN R909 OEM EXT DEF-FOC	XX			
R763637 UN R909SP CNN EL		XX		XX
R763623 UN R912 FAN CTRL	XX	XX	XX	XX
R763034 UN RCU-BL RC5	XX	XX	XX	XX
R7630355 UN RCU-BL RC5 CPL	XX	XX	XX	XX
R763114 UN RCU-BL RC5 WIRE	XX	XX	XX	XX
R7631285 UN RCU-BL RC5 WIRE CPL	XX	XX	XX	XX
R763112 UN V708 RCU RX IR RC5	XX	XX	XX	XX

Optional Modules:

R7629482 Semu Advanced II
 R7634711 Decoder + Limo Pro
 R762406 Contrast Modulation
 R763499 Linked IR
 R763499+R76248 Linked BCL

BARCO REALITY 909 (908)

R9040010 R9040030
 R9040014 R9040040
 R9040015 R9040070
 R9040019 R9040080



Section Reference

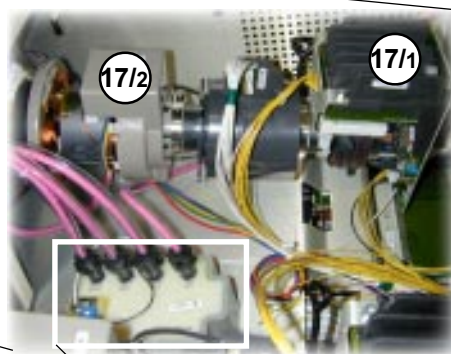
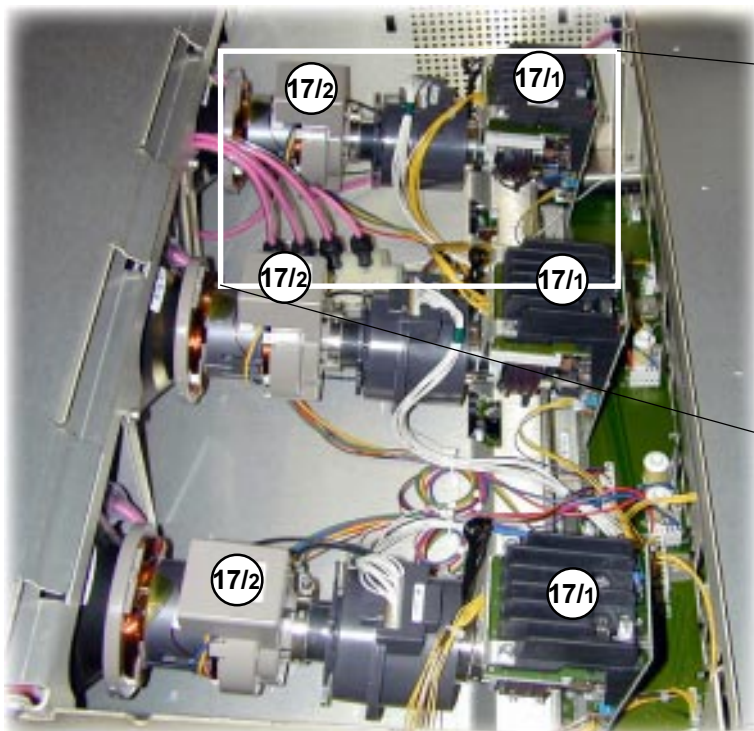
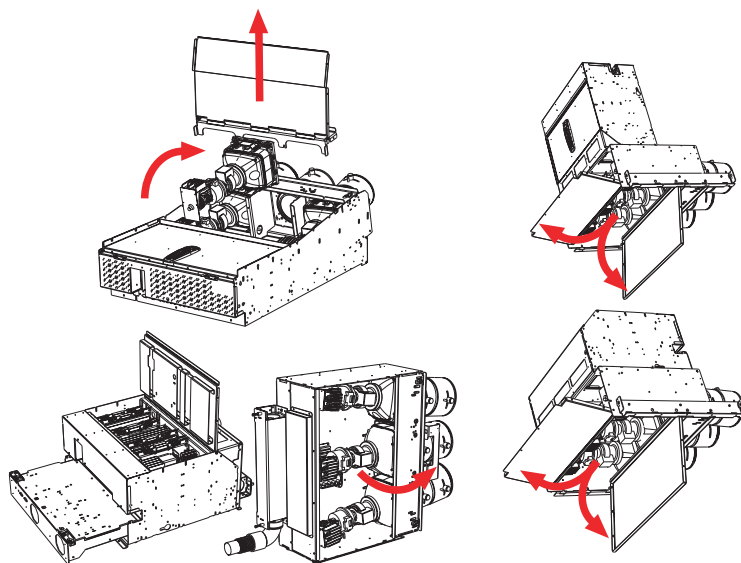
- 5 R7631455 Power Factor Corrector
- 6 R763142 Switch Mode Power Supply
- 7 R763143 SM Power 2 + G2
- 8 R7627165 EHT Generator
- 9 R763140 Horizontal Deflection

Section Reference

- 10 R7631415 Vertical Deflection
- 14 R7627195 RGB Input + Switching
- 15 R7621055 RGB Input Aut Sync Track
- 16 R7627205 RGB Driver
- 19/2 R763112 Infra Red Receiver

BARCO REALITY 909 (908)

R9040010 R9040030
 R9040014 R9040040
 R9040015 R9040070
 R9040019 R9040080



R762718
EHT Splitter

Section Reference

17/1 R763027 R/G/B Output Amplifier

17/2	909	908	
	R7635722	R7637542	CRT Unit Red
	R7635725	R7637545	CRT Unit Green
	R7635726	R7637542	CRT Unit Blue



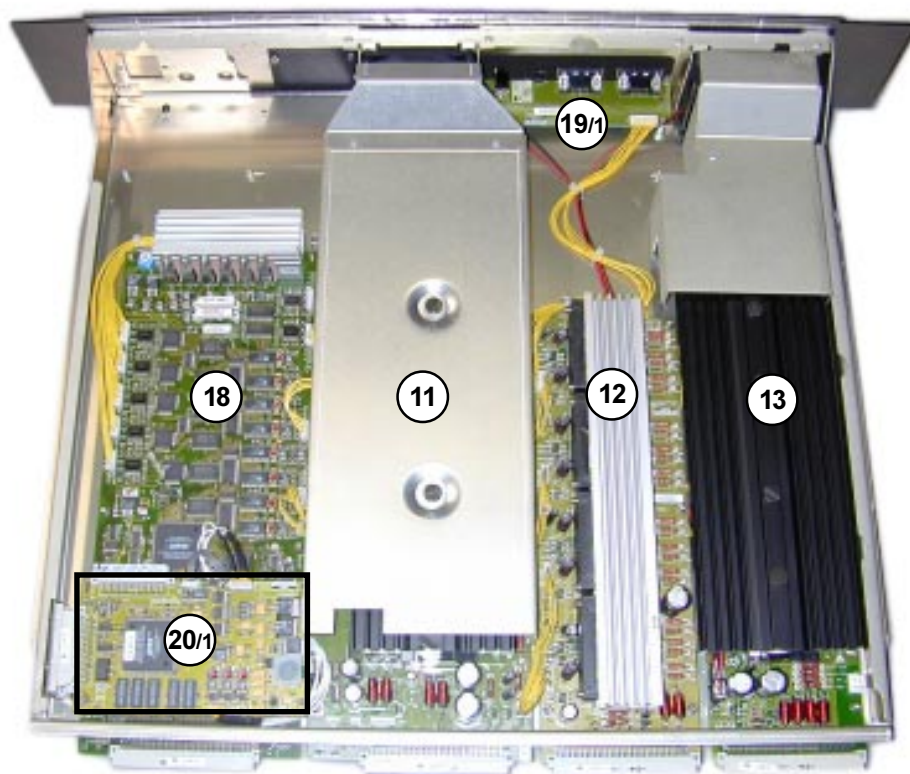
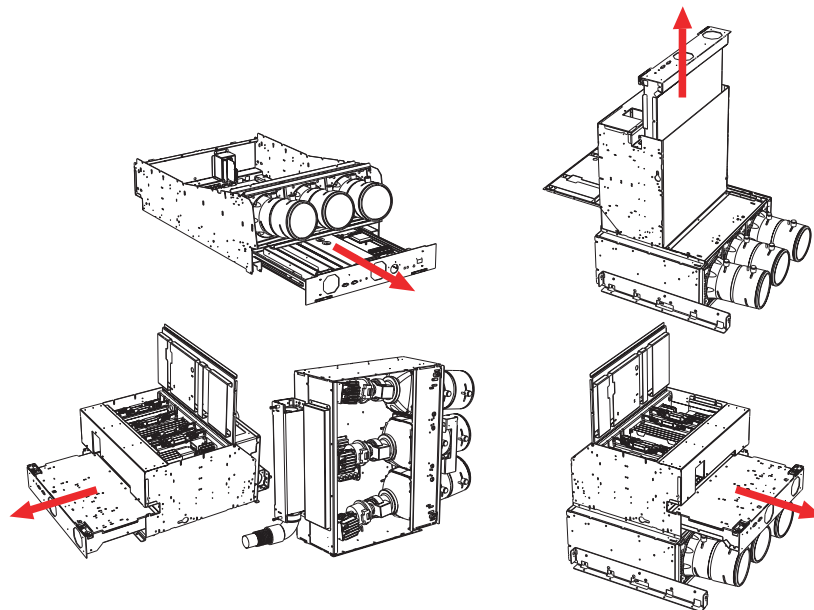
R7630355
Remote Control
Unit



R7631285
Internal Control
Unit

BARCO REALITY 909 (908)

R9040010 R9040030
 R9040014 R9040040
 R9040015 R9040070
 R9040019 R9040080



Section Reference

- ①① R7631375 Convergences Output
- ①② R763138 Dynamic Astigmatism
- ①③ R7631395 Focus

Section Reference

- ①⑧ R763125 Controller
- ①⑨/① R7631295 RS232 Comm. Interface
- ②①/① R7629482 Semu Advanced II (Optional)