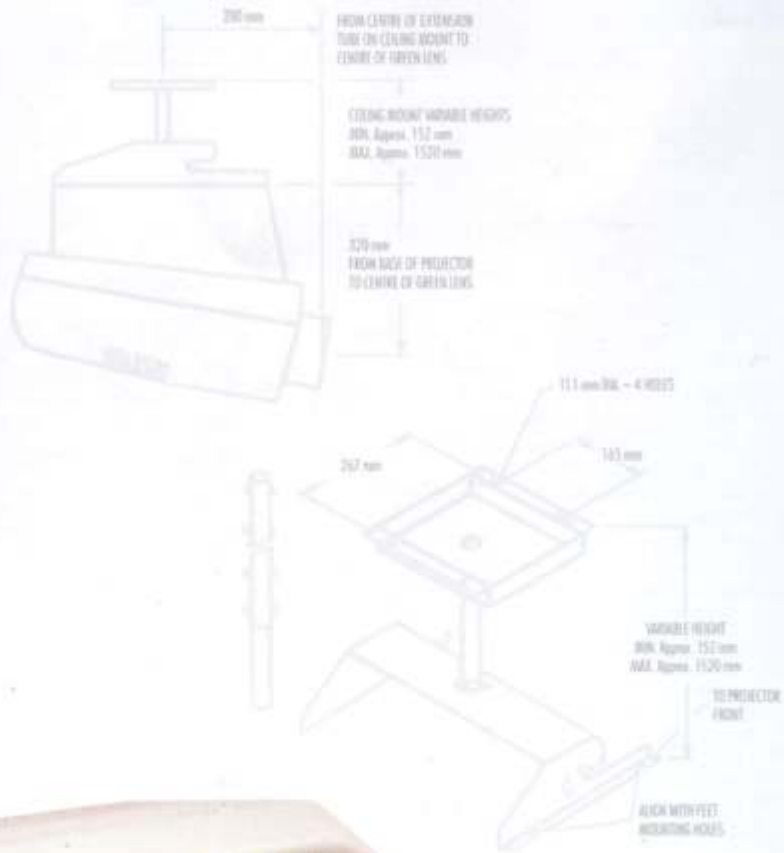


The Electrohome ECP<sup>®</sup> 4100 and 4101 ACON<sup>®</sup> are microprocessor based, three lens data/graphics and video projection systems that scan between 15-80 KHz. Simple to set-up and operate, both have on-screen menus and are controlled by an IR Remote Keypad. The ECP<sup>®</sup> 4101 comes complete with ACON<sup>®</sup>, Electrohome's automatic convergence system.



ECP<sup>®</sup> 4100 • ECP<sup>®</sup> 4101

[www.HCinema.de](http://www.HCinema.de)

ACON  
AUTO CONVERGENCE

## Optics

- High definition F1.0 hybrid lens.
- 10 lp/mm.

## Resolution

- Capable of resolving 1280 x 1024 pixels or 1020 TV lines.

## Brightness

- 650 lumens (10% peak white) focused.
- 370 foot lamberts on a 6' diagonal 10 gain screen total light output.

## Display

- Functional 3 lens design allows simple adjustment for flat, curved or rear screens from 5 to 25 feet diagonal.
- Electronic pincushion circuits separately correct top, bottom and sides for flat, curved or rear screen applications.
- Keystone circuitry to correct pictures for angles up to  $\pm 15$  degrees vertically from screen axis.

## VIDEO CIRCUITS

### Input

- Input level 0.5 to 1.5 V p-p, 75 ohms  $\pm 1\%$  terminated.
- Automatically switches to separate sync or sync on green.
- Separate sync is automatically accepted in either polarity.

### Frequency Response

- 70 MHz bandwidth  $\pm 3$  dB.
- Linear non-differential amplifier accommodates 7 nanosecond pixels and digital clock rates over 140 MHz.

### D.C. Restoration

- Keyed clamp.

### Gain

- Minimum video gain 40 dB or 100 X
- Maximum video output 120 V p-p\*drive.

## DEFLECTION CIRCUITS

### Vertical Deflection

- Size: automatically regulated over frequency range and adjustable from 20% underscan to 10% overscan.
- Frequency Range: automatically locks from 45 Hz to 120 Hz.
- Retrace Time: less than 300 microseconds.

### Horizontal Deflection

- Size: automatically regulated over frequency range and adjustable from 10% overscan to 10% underscan.
- Frequency Range: automatically locks from 15 KHz to 80 KHz.
- Retrace Time: 2.5 microseconds.

### Geometry Distortion

- Horizontal < 2%.
- Vertical < 2%.

## High Voltage

- 34 KV regulated to better than  $\pm 1\%$ .

## Power Requirements

- 90 VAC to 264 VAC.
- Line frequency 50 to 60 Hz nominal.
- Power 450 watts maximum.

## ENVIRONMENT

### Inputs

Unit comes with 1 input module allowing 2 RGB sources to be connected. Optional modules including Quad Standard Decoder available to install in spare slot of projector.

### Optional Source Selection

The Electrohome IR Remote Video/Data Switcher allows use of 6 additional input modules for master control of projector. Four switchers can be connected via multiswitcher interface for up to 48 inputs.

### Maximum Operating Range

- Temperature: 0 to 35 degrees C.
- Humidity: 0 to 90% non-condensing.
- Altitude: 0 to 3000 m (0-10,000 ft).

### Storage

- Temperature: -30 to 65 degrees C.

### Mounting

- Both the ECP® 4100 and 4101 can be mounted on optional ceiling mount or on a castered cart for portable applications.

### Weight

- ECP 4100 – 99 lb/45 kg – Shipping Weight – 124 lb/57 kg.
- ECP 4101 – 114 lb/57.7 kg – Shipping Weight – 134 lb/60.7 kg.

### Accessories Included

- IR Remote Keypad.
- Operators manual.

### Regulatory Approvals

- Model #XX-B09980-XX.
- Meets FCC Class A, DHHS and HWC requirements.
- CSA certified.

**One year parts and labour WARRANTY**  
Due to constant research, specifications are subject to change without notice.

ECP and ACON are registered trademarks of Electrohome Limited.



[www.HCinema.de](http://www.HCinema.de)

**ELECTROHOME**

46 London Road, Reading,  
Berkshire RG1 5AP, United Kingdom.  
Tel: +44 (0) 734 756540.  
Fax: +44 (0) 734 756541.