

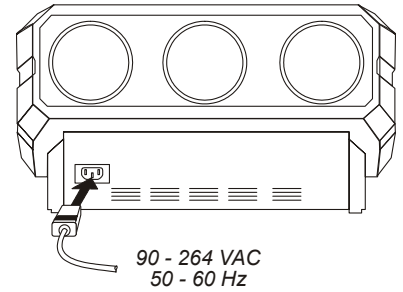
QUICK START – MARQUEE™ 8110/8500/9500 SERIES

This document will provide the necessary information to perform an initial test and quick setup of the projector. For complete detailed installation and operating instructions, refer to the User's Manual contained on the accompanying CD.

Step 1. Position the Projector

- To perform a quick setup, position so that the throw distance is the same as that used during the factory set-up; otherwise a detailed setup is required. The throw distance is the distance between the center lens on the projector and the center of the projection screen.
- Unless otherwise specified, the factory setup for the standard projector is;

Series	Image Size	Throw Distance
8110/8500	57.75" [147 cm] W x 43.25" [110 cm] H	80" [203 cm]
9500	77" [196 cm] W x 57.75" [147 cm] H	102" [259 cm]

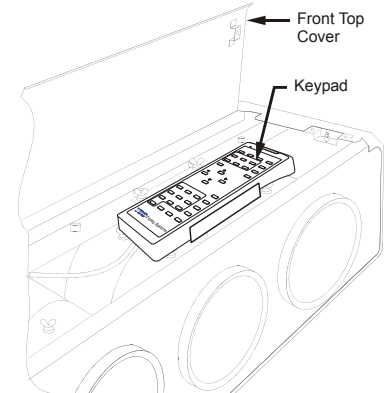


Step 2. Connect the Power Cord

- Plug the AC line cord into the line input unit on the lower front panel of the projector. Plug the three prong end of the line cord in a grounded AC outlet.

Note: Input voltage must be between 90 VAC and 264 VAC, 50/60Hz.

Note: Ensure the line cord is the proper type for the AC receptacle.

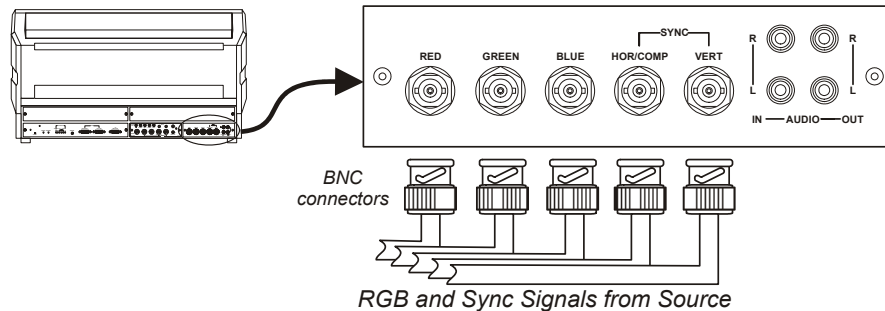


Step 3. Access the Internal Keypad

- Remove the projector's front top cover to access the keypad.

Step 4. Connect an External Source (OPTIONAL)

- Connect a 3, 4 or 5-wire source to the projector's built-in RGB input (slot 1). Ensure the source is on and properly connected.



Step 5. Turn the projector on.

- Press **[POWER]** on the keypad to turn the projector on. Hold down the power key for about one second.

Step 6. Select Internal Test or External Source

- Internal Test: Press **[#]** to display the first test pattern- a crosshatch. Press **[EXIT]** to return to the external source (if available).
- Select the External Input
 - > Press **[SOURCE] [0] [1]** to select the source connected to the built-in RGB input.

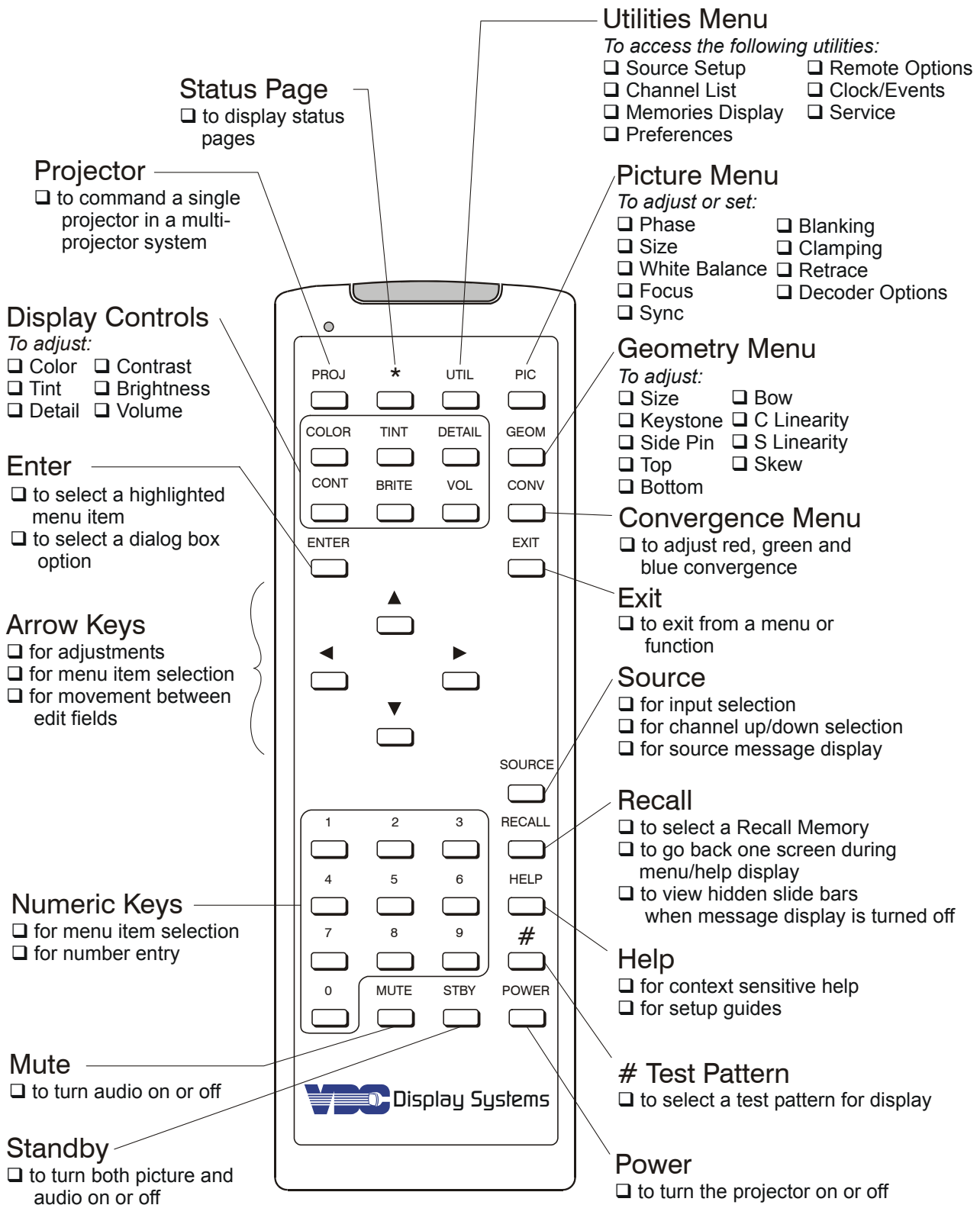
Step 7. Adjust the Display

Guided Help provides several on-line tutorials which explain how to operate the projector and assist you during installation and setup.

- Press **[HELP] [1]** to select the Guided Source Setup tutorial.

Note: If the display cannot be focused; 1.) Ensure that the throw distance is correct. 2.) If the distance is correct, follow the Guided Mechanical Setup tutorial, **[HELP] [2]**.

Marquee™ Remote Control Layout and Controls



For technical assistance please contact:

VDC Technical Services: 321.784.4427 or e-mail; support@vdcdisplaysystems.com