



Exceptional Image Reproduction,

the
big
easy™
1 2 8 1

The next generation in high performance graphics projectors has arrived in a big way. The Big Easy 1281 from Mitsubishi Electronics is a versatile, three-CRT graphics

projector with advanced features, performance and 3-year warranty unmatched by its competitors. The projector combines exceptional picture quality with ease of use, via a wired/wireless illuminated remote control and is compatible with all computer and video sources including HDTV.

Data Copy Function

The data copy function offers unsurpassed flexibility for portable presenters and results in consistently superb image quality. Once you've set-up for the first signal, it's a snap to add new input signals. The Big Easy 1281 uses a form of interpolation which automatically adjusts the projector to the new signal frequency in any of 30 related memory banks.

True Digital Convergence

With Mitsubishi's revolutionary True Digital Convergence, projection set-up has never been easier. Far superior to traditional analog circuitry, Mitsubishi's proprietary technology performs convergence completely in the digital domain, and along with a built-in sync generator, set-up with minimal operator intervention. The Big Easy 1281 automatically calculates up to 200,000 points of convergence – with pinpoint accuracy and clarity.

Flexible Optical Coupling

The Big Easy 1281 also incorporates a Flexible Optical Coupling between each lens and CRT that delivers exceptional contrast performance

ILLUMINATED WIRELESS/WIRED REMOTE CONTROL

Convenient, easy-to-use infrared remote control provides complete control for all The Big Easy 1281 operations and adjustments and fits comfortably in the palm of your hand. From the remote control, comprehensive adjustment menu is displayed on the screen.



YEAR 3
ON-SITE
warranty
 parts, labor
 and CRTs

and precise switching between screen sizes from 70" to 300" (measured diagonally). There is no need to change spacers or lens units, and the CRT/lens units remain optically coupled for significant contrast improvements. The combination of True Digital Convergence and the Flexible Optical Coupling produces razor-sharp images with high contrast.

Superb Image Quality and High Brightness

Image quality is always superb, with resolution up to 1000 TV lines from a composite or S-video source and 1600 x 1200 maximum resolution from RGB sources. While other projectors utilize only 5 1/2" of their 7" CRTs, The Big Easy 1281 uses a full 6", which produces a much brighter and higher contrast picture. The three 7" CRTs have superior electromagnetic focusing – the most accurate focusing method available today – plus, a flat face and impregnated cathode for long CRT life. What's more, Dynamic Beam Forming (DBF) enhances and improves screen resolution, maintains beam

focus from center to edge, and increases corner resolution.

Additional technical advances in



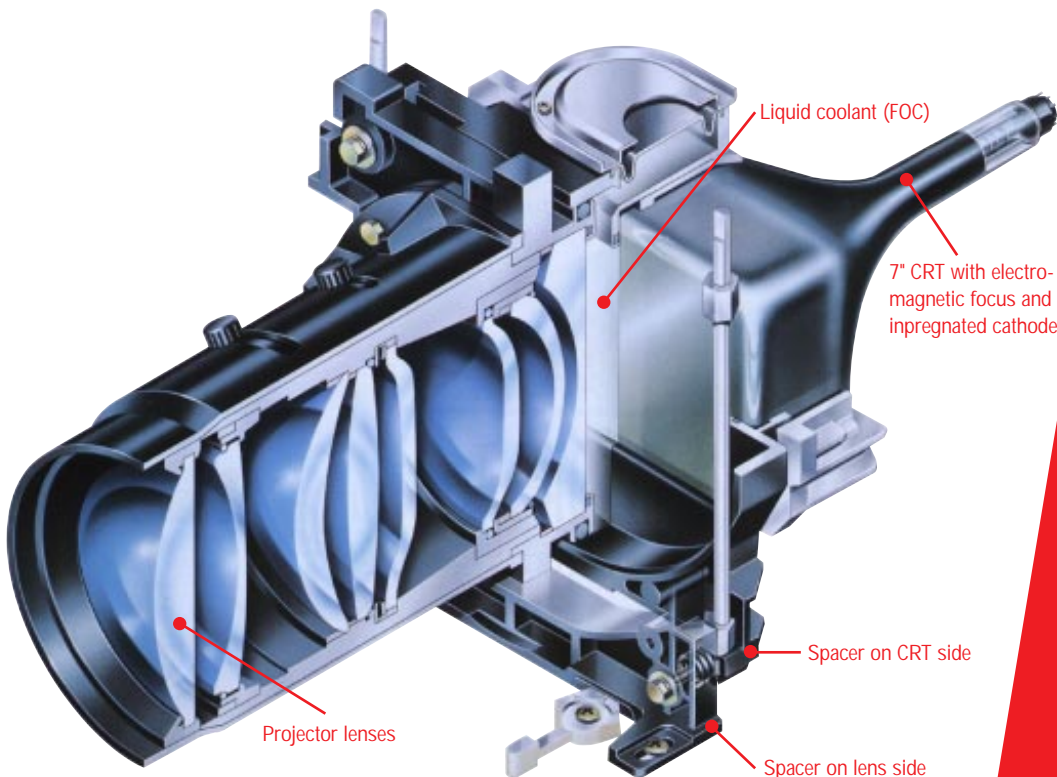
optics include color corrected F1.1 hybrid lenses, optically coated elements, specially colored green lens, and dichroic coating on green and blue lenses for optimum color reproduction.

Flexibility and Versatility

The Big Easy 1281 is equipped with an on-board self-diagnostic system with a rear LED information window. If a problem is detected, an error code is displayed so a qualified technician can easily identify and correct any problem promptly.



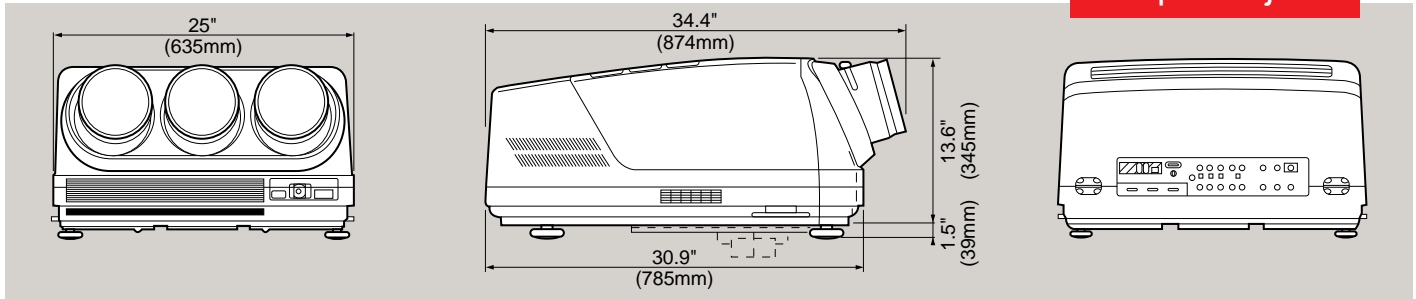
Resolution & Reliability



Applications for The Big Easy 1281 are practically unlimited. Whenever you desire large screen communication with powerful, lasting impact, The Big Easy 1281 should be the graphics projector of choice. Application flexibility and versatility includes corporate/business environments, training, education, entertainment and sports.

Different projection applications may require multiple aspect ratios which the Big Easy 1281 can easily accommodate: 4:3, 16:9 as well as other custom aspect ratios can be individually set and memorized. Color temperature is user adjustable with presets being 6500°, 9300° and 3200° Kelvin. The Big Easy 1281 may be used in front, rear, retro and ceiling applications.

Outline Dimensions



Screen Size and Distance

Standard Installation (Ceiling)

Installation Bracket	A Dimension	B Dimension
BR-006	14" (357mm)	5.1" (13mm)
BR-007	13" (328mm)	3.6" (93mm)
BR-008	8.6" (220mm)	20.5" (523mm) - 30" (763mm)

Standard Installation (Rear)

Standard Installation (Floor)

Screen Size	L Dimension	H Dimension	h Dimension
70"	77.8" (1976 mm)	9.0" (228 mm)	42.0" (1067 mm)
80"	88.2" (2242 mm)	8.4" (213 mm)	48.0" (1219 mm)
90"	98.7" (2506 mm)	7.8" (198 mm)	54.0" (1372 mm)
100"	109.1" (2770 mm)	7.2" (182 mm)	60.0" (1524 mm)
110"	119.7" (3039 mm)	6.6" (168 mm)	66.0" (1677 mm)
120"	130.2" (3308 mm)	6.0" (154 mm)	72.0" (1829 mm)
150"	162.2" (4120 mm)	4.5" (113 mm)	90.0" (2286 mm)
180"	193.8" (4923 mm)	2.8" (70 mm)	108.0" (2743 mm)
200"	214.9" (5457 mm)	1.6" (41 mm)	120.0" (3048 mm)
250"	267.4" (6791 mm)	-1.3" (-32 mm)	150.0" (3810 mm)
300"	319.9" (8124 mm)	-4.2" (-106 mm)	180.0" (4572 mm)

Screen Size	L Dimension	H Dimension
70"	79.9" (2028 mm)	42.0" (1067 mm)
80"	90.6" (2301 mm)	48.0" (1219 mm)
90"	101.3" (2572 mm)	54.0" (1372 mm)
100"	112.0" (2843 mm)	60.0" (1524 mm)
110"	122.8" (3119 mm)	66.0" (1677 mm)
120"	133.7" (3395 mm)	72.0" (1829 mm)
150"	166.5" (4228 mm)	90.0" (2286 mm)
200"	220.5" (5601 mm)	120.0" (3048 mm)

Screen Size	L Dimension	H Dimension	h Dimension
70"	77.8" (1976 mm)	9.0" (228 mm)	42.0" (1067 mm)
80"	88.2" (2242 mm)	8.4" (213 mm)	48.0" (1219 mm)
90"	98.7" (2506 mm)	7.8" (198 mm)	54.0" (1372 mm)
100"	109.1" (2770 mm)	7.2" (182 mm)	60.0" (1524 mm)
110"	119.7" (3039 mm)	6.6" (168 mm)	66.0" (1677 mm)
120"	130.2" (3308 mm)	6.0" (154 mm)	72.0" (1829 mm)
150"	162.2" (4120 mm)	4.5" (113 mm)	90.0" (2286 mm)
180"	193.8" (4923 mm)	2.8" (70 mm)	108.0" (2743 mm)
200"	214.9" (5457 mm)	1.6" (41 mm)	120.0" (3048 mm)
250"	267.4" (6791 mm)	-1.3" (-32 mm)	150.0" (3810 mm)
300"	319.9" (8124 mm)	-4.2" (-106 mm)	180.0" (4572 mm)

SPECIFICATIONS

Display Size	70" to 300" (measured diagonally)
Resolution	1000 TV lines composite; 1600 x 1200 with RGB source
Brightness	900 peak lumens; 160 ANSI lumens
Auto-Scan Range	Horizontal: 15 – 103 kHz Vertical: 40 – 150 Hz
Retrace Time	2.5µs
Bandwidth	80 MHz/-3dB
Data Copy Function	30 memory locations
Lenses	Color corrected F1.1 hybrid lenses; Optically coupled elements; Special colored green lens; Dichroic coating on green and blue lenses
CRTs	7" liquid cooled with electromagnetic focus; 6" phosphor area; Impregnated Cathode; Dynamic Beam Forming for improved edge focus
Inputs	RGB analog (x 2); composite video, S-video, and separate Y/C
Dimensions	(W x H x D) 25 x 15.1 x 34.4" (635 x 384 x 874 mm)
Weight	168 lbs. (76 kg)
Warranty	Three years parts and three years on-site labor; three years CRTs (U.S.A. only). Some restrictions may apply. For copy of warranty statement call 1-800-843-2515

For more information on The Big Easy 1281 or any of Mitsubishi's other projectors or 15" to 42" (13.8" to 40.0" diagonal viewable image) color monitors, call the office nearest you today. Detailed technical specifications available upon request.

Standard features, options and specifications subject to change without notice.

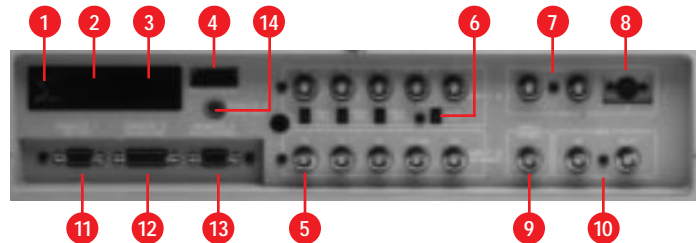
© 1996 Mitsubishi Electronics America, Inc. The Big Easy is a trademark of Mitsubishi Electronics America, Inc. All other trademarks or registered trademarks are the property of their respective holders.

Mitsubishi Electronics America, Inc.
Display Products
5665 Plaza Drive, P.O. Box 6007
Cypress, CA 90630-0007
1-800-843-2515

United States:
Cypress, CA (714) 220-2500
Irving, TX (972) 929-0046
Mt. Prospect, IL (847) 298-9223
Norcross, GA (770) 613-5845
Reston, VA (703) 758-7811
Sunnyvale, CA (408) 730-5900
Woburn, MA (617) 937-4300

Canada:
Mitsubishi Electric Sales Canada Inc.
Information Technologies Group
Markham, Ontario (905) 475-7728

World Wide Web:
<http://www.mitsubishi-display.com>



- 1 Stand-by, power indicator
- 2 Self-diagnostic information window
- 3 Rear remote control sensor (for wireless control system)
- 4 Installation DIP switch
- 5 Input A, B terminals
- 6 Input A 75Ω high impedance/termination switches
- 7 Input Y/C terminals
- 8 S input terminal (mini DIN 4-pin)
- 9 Input video terminal (BNC)
- 10 ACL interlock terminals (BNC)
- 11 RS-232C
- 12 RS-422/485
- 13 Remote 3 AUX control
- 14 Wired remote input (3.50 mini jack)

Authorized Mitsubishi Professional Electronics Dealer: