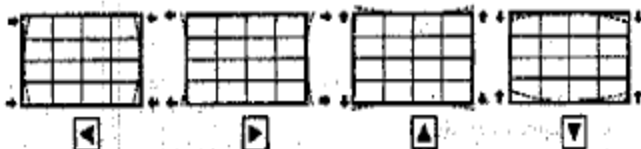


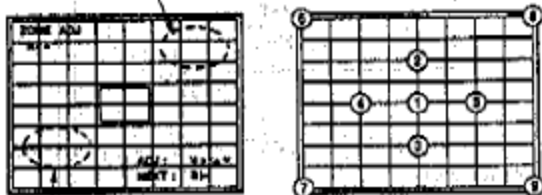
Pincushion Adjustment

1. Press **[PIN]** and set at pin adjustment mode.
2. Use arrow keys to adjust spool shape distortion vertically and horizontally.

**Zone Adjustment**

1. Press **[ZONE]** and set at zone adjustment mode.
2. Press **POSITION** **+** and **-** keys to select part to be adjusted.
3. Use arrow keys **←** **→** **▲** **▼** to adjust line distortion near cursor.

The cursor position is displayed.



The data is displayed.

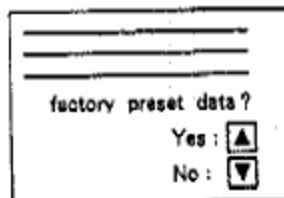
NOTE: Refer to the installation manual for details of the registration adjustment.

4-14. WHITE BALANCE ADJUSTMENT**<Preparations>**

- ① Press **[TEST]** for more than 5 sec.
- ② Screen display will change to service man mode display.
- ③ Press arrow key **▲**.

1. Q2 (Screen) VR Adjustment

- ① Use the commander to select an input not connected to a signal and set it into a non signal condition.
(Set f_s : 34 kHz)
- ② Press the **[TEST]** key continuously for five seconds, and press the **▲** key to set the service man mode.
(Not required if already in the service man mode.)
- ③ Press the **[PAGE]** key and set the color temperature to 6500°K.
- ④ Press the **[BIAS]** key and set the bias adjustment mode.
- ⑤ Press the arrow **←** and **→** keys simultaneously and check that the following messages are displayed.
- ⑥ Press the arrow **▲** key. (This will input the factory preset data in the memory.)



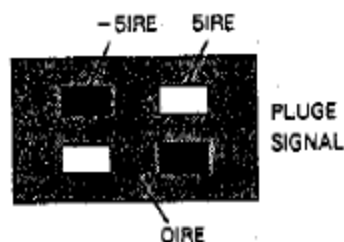
- ⑦ When performing adjustments using the digital voltmeter, adjust as follows.
 - 1) Adjust the BLUE G, VR so that the voltage between Pins ① and ② of connector CFB-5 becomes $4 \pm 0.2\text{VDC}$.
 - 2) Adjust the GREEN G, VR so that the voltage between Pins ① and ③ of connector CFB-5 becomes $4 \pm 0.2\text{VDC}$.
 - 3) Adjust the RED G, VR so that the voltage between Pins ① and ④ of connector CFB-5 becomes $4 \pm 0.2\text{VDC}$.

- ⑧ When performing adjustments without using the digital voltmeter, adjust as follows.

- 1) Short circuit 1. and 2. of the CFB-3 connector (2P) of the CFB board. *PAGE 29B*

Note: The 2P connector to be short-circuited is inserted in connector L302 of the L board. After the adjustment, insert it back into the L board.

- 2) View the tube surface of each CRT directly from the lens, and adjust the brightness of the R, G, B single colors to the following, by rotating G2VR.

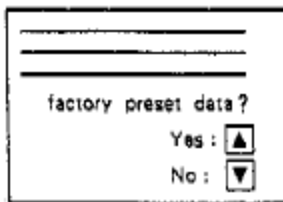


Note: Adjust with the tube display turned on. The background (OIRE) becomes as bright as -SIRE. Adjust to the point where +SIRE is slightly shining.

- 3) Release the short-circuit in ⑧.

2. 9,300°K Adjustment

- ① Input video signal. (100IRE white)
- ② Press **PAGE** and set color temperature at 9,300°K.
- ③ Press **BIAS** or **GAIN** and set at bias adjustment mode.
- ④ Press arrow keys **◀** and **▶** simultaneously, and confirm the following message is displayed.
- ⑤ Press arrow key **▲**. (This will input factory preset data in memory)
- ⑥ Press **BIAS**.
- ⑦ Press **TEST** until screen is white signal.
- ⑧ Set CONT: Minimum, BRT: Minimum.
- ⑨ Use color analyzer and adjust blue and red so that:
x: 0.284 ± 0.015
y: 0.297 ± 0.025 .
Do not adjust green bias.
- ⑩ Press **MEMORY**.
- ⑪ Press **GAIN**.
- ⑫ Press **TEST** until screen displays external signal.
- ⑬ Press **RESET** and set CONT: 80%, BRT: 50%.
- ⑭ Use color analyzer and set green and red so that;
x: 0.284 ± 0.015
y: 0.297 ± 0.025 .
Do not adjust blue gain.
- ⑮ Press **MEMORY**.



3. 6,500°K Adjustment

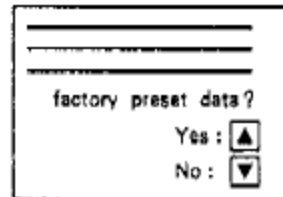
- ① Input video signal.
- ② Press **PAGE** and set color temperature at 6,500°K.
- ③ Press **BIAS** or **GAIN** and set at bias adjustment mode.
- ④ Press arrow keys **◀**, **▶** simultaneously and confirm the following message is displayed.

- ⑤ Press arrow **▲** key. (This will input factory preset data in memory)
- ⑥ Press **BIAS**.
- ⑦ Press **TEST** until screen is blank.
- ⑧ Set CONT: Minimum, BRT: Minimum
- ⑨ Use color analyzer and adjust blue and red so that;
x: 0.313 ± 0.015
y: 0.329 ± 0.015
Do not adjust green bias.
- ⑩ Press **MEMORY**.
- ⑪ Press **GAIN**.

- ⑫ Press **TEST** until screen displays external signal.
- ⑬ Press **RESET** and set CONT: 80%, BRT: 50%.
- ⑭ Use color analyzer and adjust green and red so that;
x: 0.313 ± 0.015
y: 0.329 ± 0.015
Do not adjust blue gain.
- ⑮ Press **MEMORY**.

4. 3,200°K Adjustment

- ① Input video signal.
- ② Press **PAGE** and set color temperature at 3,200°K.
- ③ Press **BIAS** or **GAIN** and set at bias adjustment mode.
- ④ Press arrow keys **◀**, **▶** simultaneously and confirm the following messages are displayed.

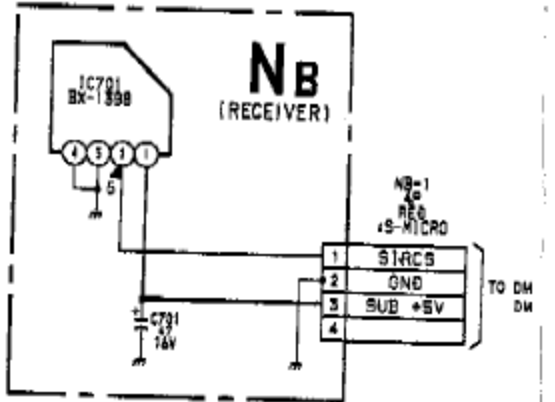
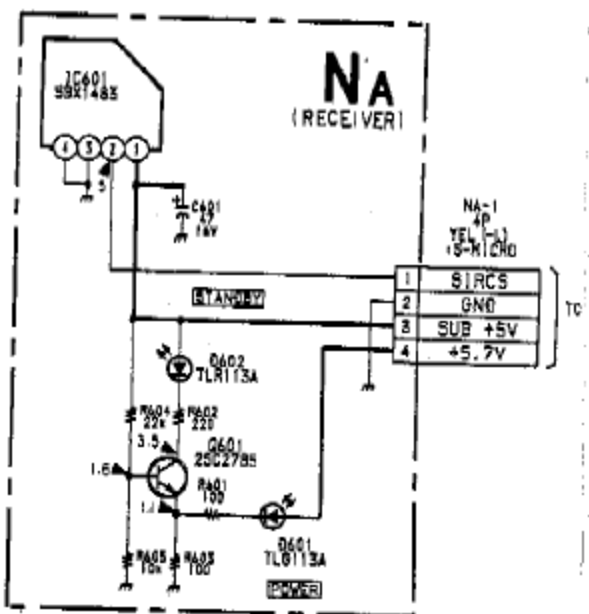
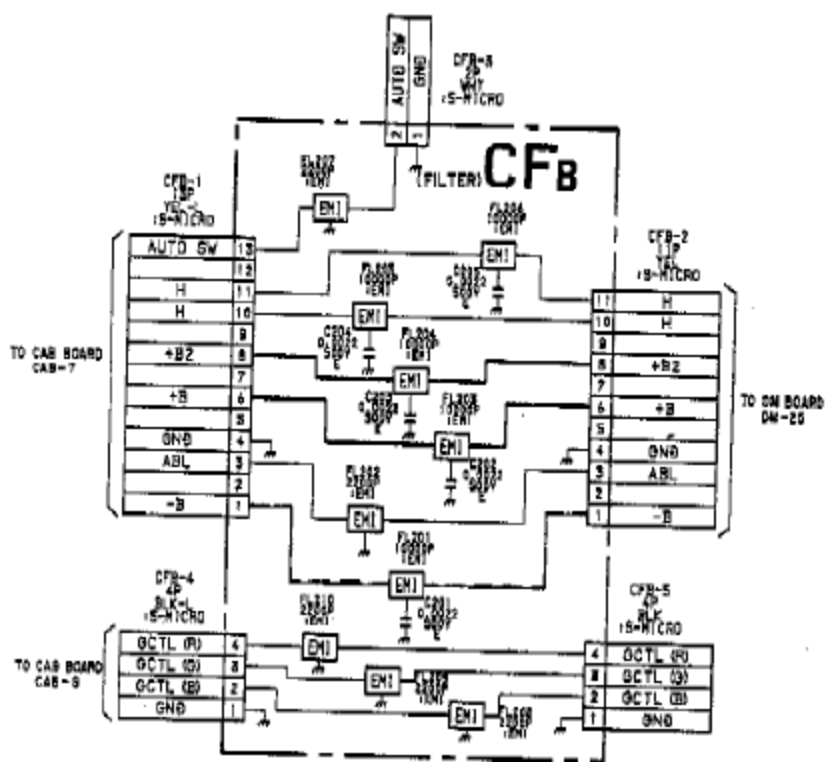


- ⑤ Press arrow key **▲**. (This will input factory preset data in memory)
- ⑥ Press **BIAS**.
- ⑦ Press **TEST** until screen is blank.
- ⑧ Set CONT: Minimum, BRT: Minimum.
- ⑨ Use color analyzer and adjust blue and red so that;
x: 0.423 ± 0.015
y: 0.399 ± 0.015
Do not adjust green gain.
- ⑩ Press **MEMORY**.
- ⑪ Press **GAIN**.
- ⑫ Press **TEST** until screen displays external signal.
- ⑬ Press **RESET** and set CONT: 80%, BRT: 50%.
- ⑭ Use color analyzer and adjust red and blue so that;
x: 0.428 ± 0.015
y: 0.399 ± 0.015
Do not adjust green gain.
- ⑮ Press **MEMORY**.

5. Preset Adjustment

- ① Press **PAGE** and preset color degree.
- ② Press **GAIN** and set R, G, B gain data at 6,500°K data.
- ③ Press **BIAS** and set R, G, B bias data at 6,500°K data.
- ④ Press **MEMORY**.
- ⑤ Press **PAGE** and after setting color temperature at 6,500°K, press **MEMORY**.

7 | 8 | 9 | 10 | 11 | 12 | 13 | 14 | 15



NA	IC801	98X1483	IR RECIEVER
	D601	25C2785	LED SW
	D601	TLG113A	POWER
	602	TLR113A	STANDBY

NB	IC701	BX-1388	IR RECIEVER
----	-------	---------	-------------

A

CFB

(FILTER)

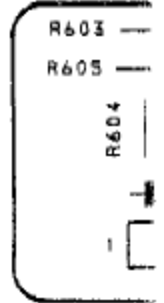
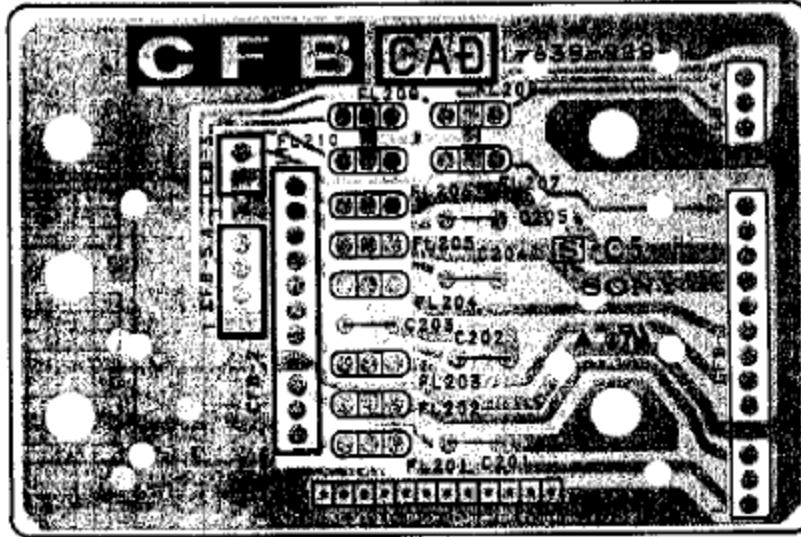
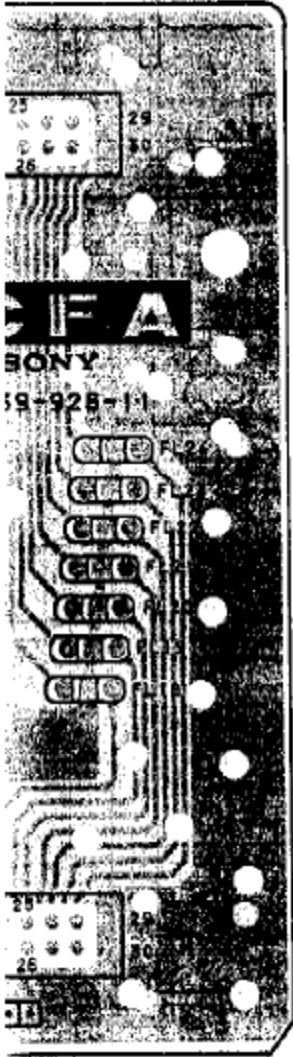
NA

NB

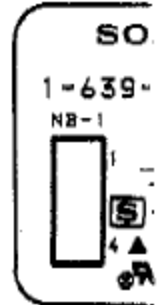
(RECE)

- CFB BOARD -

- NA BOARD



- NB BOARD



- : Pattern from the side which enables seeing.
- : Pattern of the rear side.