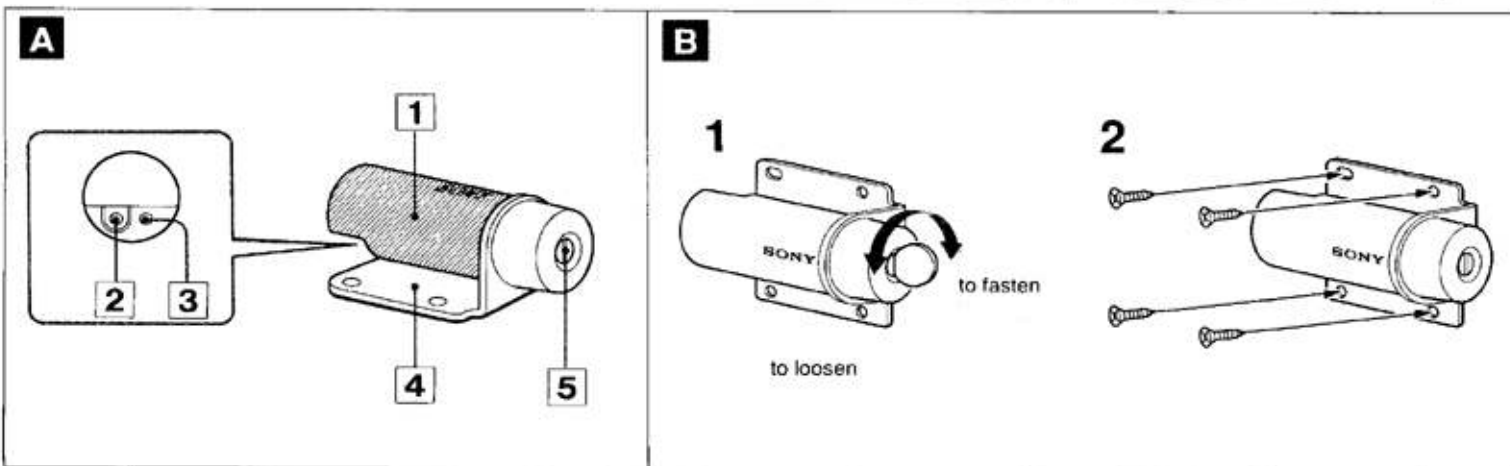
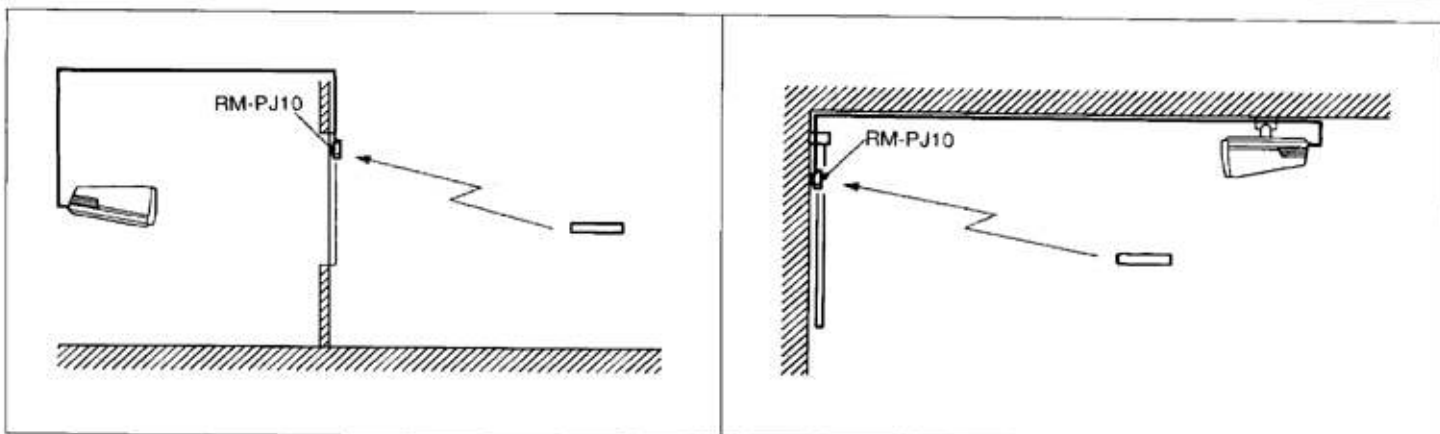


# RM-PJ10

## Operating Instructions

The RM-PJ10 is a remote control detector that receives signals transmitted from a Remote Commander for Sony projectors. When the projector is installed where the signal from the Commander cannot reach the built-in remote sensor, install this receiver in an appropriate location and connect it to the projector. The receiver's tube casing lets the infrared signal pass.

### Installation Examples



### Parts Identification **A**

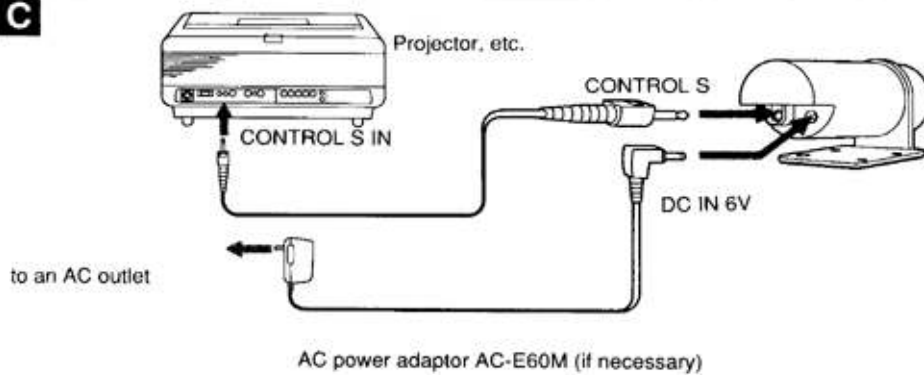
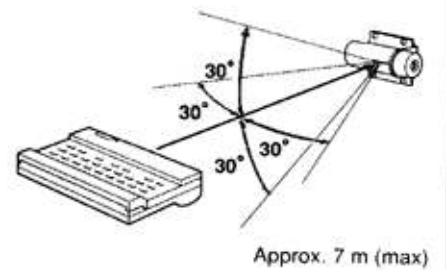
- 1 Remote sensor (built-in)**  
The remote control signal transmitted from a Remote Commander passes through the casing (shaded portion in Fig. [A]).
- 2 CONTROL S output jack (minijack)**
- 3 DC IN 6V (DC input) jack**
- 4 Mounting bracket**
- 5 Mounting bracket fastening screw**

### Installation **B**

- 1** Turn the mounting bracket fastening screw counterclockwise to loosen the bracket, move the bracket to the appropriate position and fasten it by turning the screw clockwise. (Face the SONY mark towards the Remote Commander. See Fig. [D] for the operable range.)
- 2** Secure the mounting bracket using the supplied screws.

#### Note

Please consult qualified Sony personnel if the supplied screws do not fit your installation location.

**C****D**

## Connections **C**

Connect the CONTROL S jack of this unit to the CONTROL S IN jack of the projector or switcher using the supplied remote control cable.

### Power source

The power source for this unit differs depending on the projector or switcher to be connected. Refer to the table below.

Projector/switcher	Power source
VPH-1271Q/QM, 1251Q/QM, 1272Q/QM, 1252Q/QM, 1292Q/QM, 1044Q/QM, 1001Q/QM, RVP-4010Q/QM, 6010Q/QM, PC-1271/1271M	Power is supplied from the projector/switcher (through the CONTROL S jack)
VPH-1270Q/ 1270QM, RVP-400Q/400QM/6000Q/6000QM, PC-1270/1270M	Connect the unit to an AC power source using the AC-E60M AC power adaptor (not supplied).

### Note

The supplied remote control cable is equipped with stereo miniplugs. Be sure to use it when the power of the unit is supplied through the projector/switcher.

## Precautions

- The remote control may not function if there are obstructions between the Commander and the unit.
- The remote control range is limited. The shorter the distance between the Commander and the unit, the wider the angle within which the Commander can control the projector.
- The polarity of the plug to be connected to the DC IN 6 V jack should be as shown in Fig. **E**. Use only the AC-E60M AC power adaptor (not supplied). Do not use any other AC power adaptor.

## Specifications

Power requirements	6 V DC
Dimensions	Approx. 100 × 50 × 57 mm (w/h/d) (4 × 2 × 2 1/4 inches) incl. mounting bracket
Weight	Approx. 100 g (3.5 oz) incl. mounting bracket
Supplied Accessories	Remote control cable, 15 m (450 feet) (1) Screws (4)

Design and specifications are subject to change without notice.

**E**

Polarity of the plug

